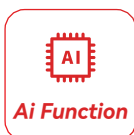


2MP Smart Light IP Camera

TH2AFCV2R



- DWDR
- With Internal POE
- 1080P/720P@30fps
- Intrusion Detection (based on human shape&vehicle detection)



Camera

| | |
|-------------------------|--|
| Image Sensor | 1/3" Progressive Scan CMOS Sensor |
| Resolution | 2MP |
| Effective Pixels | 1928(H)*1088(V) |
| Compression | H.264/H.265/H.264+/H.265+/MJPEG |
| Audio Compression | G711A/U,AAC |
| TV System | PAL/NTSC |
| Electronic Shutter Time | Auto: 1/3-1/100000Sec |
| Minimun Illumination | Color: 0.05 Lux@(F1.6, AGC ON), B/W: 0 Lux with IR |
| S/N Ratio | 60dB |
| Scanning System | Progressive |
| Video Output | Network |
| Reset Button | Optional |

Lens

| | |
|--------------------|--|
| Focal Length & FOV | 2.8 mm, horizontal FOV 94°, vertical FOV 50°, diagonal FOV 109° 4 mm, horizontal FOV 76°, vertical FOV 41°, diagonal FOV 129° |
| Lens Type | Fixed focal lens, 2.8 and 4 mm optional |
| Focus Control | Fixed |
| Aperture | F1.6 |
| Pixels | 3MP |

Night Vision

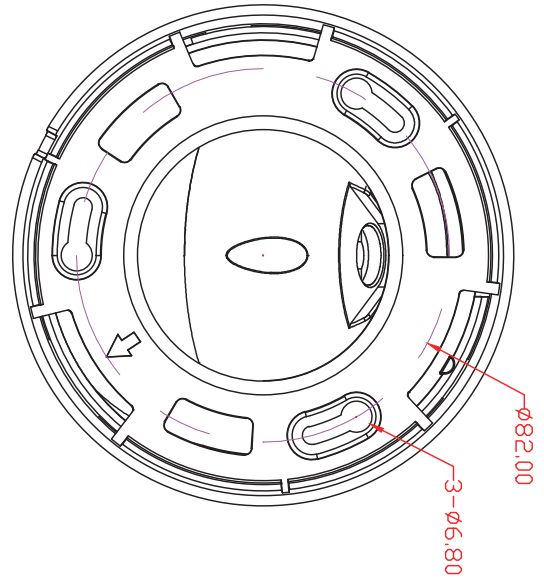
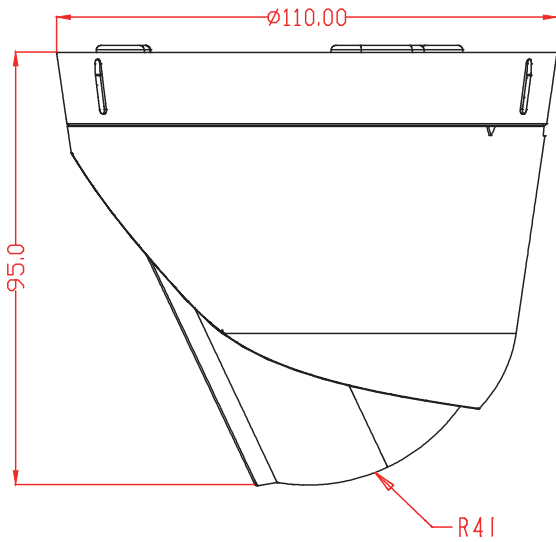
| | |
|---------------------------|----------------------------|
| Supplement Light | 2PCS |
| Supplement Light Distance | 40M |
| Supplement Light Status | Auto Control |
| Supplement Light Power On | Smart, Manual & Timed mode |

Network

| | |
|---------------|---|
| Ethernet | RJ-45 (10/100Base-T) |
| Wireless | N/A |
| Protocol | TCP/IP, IPv4/v6, ICMP, HTTP, HTTPS, FTP, DHCP, DNS, DDNS, RTP, RTSP, RTMP, RTCP, PPPoE, NTP, SMTP, UDP, SNMP, Qos, 802.1x |
| ONVIF | Support ONVIF 24.12(Profile S/T/G/M) |
| P2P | YES |
| POE | Internal, Support IEEE 802.3af |
| Video Delay | 300ms (Within the Lan) |
| Main Stream 1 | 1920*1080@30fps |
| Main Stream 2 | 1280*720@30fps |
| Main Stream 3 | N/A |
| Sub Stream 1 | 720*480@30fps |
| Sub Stream 2 | 352*288@30fps |
| Sub Stream 3 | N/A |
| Tri Stream | N/A |
| IE Brower | Microsoft Edge, IE11, Google Chrome, Firefox, Mac Safari |

| | |
|------------------------|---|
| Smart Phone | iPhone, Android |
| AI Function | |
| Intelligent Analysis | Intrusion Detetion(based on human and Vehicle Detection), Motion Detection(support enable the detection based on human and Vehicle movement) |
| Camera Features | |
| Day/Night | Color/ B&W (IR-CUT) |
| Image Config | Saturation/Brightness/Contrast/Sharpness, Mirror, 3D NR, White Balance, Anti Flicker, Video Tampering, HLC, Distortion |
| Full Color | N/A |
| Corridor Pattern | Support |
| Defog Mode | N/A |
| ROI | Support |
| BLC | Support |
| WDR | DWDR |
| Motion Detection | Support(support enable the detection based on human and Vehicle movement) |
| Privacy Masking | 3 Rectangular Zone |
| Recording Mode | NVR/CMS/Web |
| Language | Chinese Simplified, Chinese Traditional, English, Korean, Polish, French, Japanese, Spanish, Portuguese, Italian, Hebrew, Ukrainian, Arabic, Vietnamese, Thai, Hungarian, Czech |
| Interface | |
| Audio | Default: Without Option: Built in Mic Option: Audio In |
| Alarm | N/A |
| SD Card Slot | N/A |
| RS485 | N/A |
| General | |
| Housing | Metal+Plastic, IP66 |
| Anti-cut Bracket | NO |
| IR Cut Filter | YES |
| Operation Temperature | -30℃ ~ +60℃ RH95% Max |
| Storage Temperature | -20℃ ~ +60℃ RH95% Max |
| Power Source | DC12V±10%, 700mA |
| Dimension | Ø110x95mm |
| Weight (N.W./G.W.) | Approx. 295 g / Approx. 415 g |

Dimensions (mm)



Optional Accessories